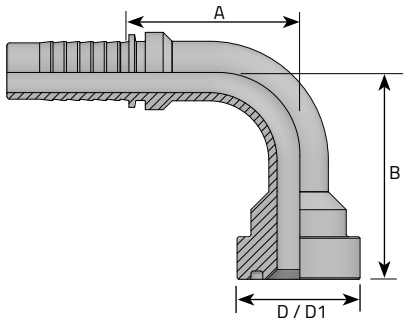


SUPERCAT FLANGE - 90° ELBOW



FLANGIA 90° SUPERCAT INTERA
 BRIDE 90° SUPERCAT (PIÈCE ENTIER)
 90° FLANSCHANSCHLUSS SUPERCAT EINTEILIG
 BRIDA 90° SUPERCAT (PIEZA UNICA)

Do Not Include O-Ring / O-Ring Non Compresso /
 Sans O-Ring / Ohne O-Ring/ Sin O-Ring

Code	Tube			Thread	Dimensions				Pressure	
	D.N.	Hose	Diam		D	D1	B	A	Bar	Psi
		Inch	mm		Inch	mm	mm	mm		
F90S1212I	-12	3/4"	19		3/4"	41.3	67	57	350	5076
F90S1216I	-12	3/4"	19		1"	47.6	73	57	350	5076
F90S1616I	-16	1"	25.4		1"	47.6	75	77	280	4061
F90S1620I	-16	1"	25.4		1.1/4"	54	80	77	280	4061
F90S2020I	-20	1.1/4"	31.8		1.1/4"	54	97	89	210	3046
F90S2024I	-20	1.1/4"	31.8		1.1/2"	63.5	99	89	210	3046
F90S2424I	-24	1.1/2"	38.1		1.1/2"	63.5	113	101	185	2683