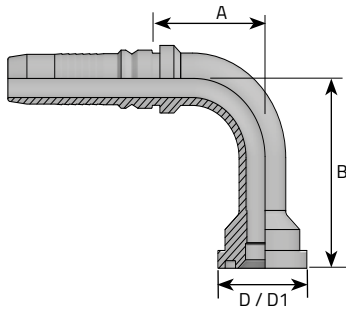


INTERLOCK FLANGE CODE 61 -3000 PSI -90° ELBOW (LONG DROP)



FLANGIA 90° SAE J518 3000 PSI INTERA
 BRIDE 90° 3000 PSI (PIÈCE ENTIER)
 90° FLANSCHANSCHLUSS 3000 PSI – EINTEILIG
 BRIDA A 90° 3000 PSI (PIEZA UNICA)

Do Not Include O-Ring / O-Ring Non Compresso /
 Sans O-Ring / Ohne O-Ring/ Sin O-Ring

Code	Tube			Thread	Dimensions				Pressure	
	D.N.	Hose	Diam		D	D1	B	A	Bar	Psi
		Inch	mm		Inch	mm	mm	mm		
KF90L1212ILD	-12	3/4"	19		3/4"	38.1	96.8	54.7	420	6091
KF90L1216ILD	-12	3/4"	19		1"	44.5	135.5	54.7	420	6091
KF90L1616ILD	-16	1"	25.4		1"	44.5	115.5	70.6	415	6019
KF90L2020ILD	-20	1.1/4"	31.8		1.1/4"	50.8	115.2	87.7	250	3626
KF90L2424ILD	-24	1.1/2"	38.1		1.1/2"	60.3	131.4	99.5	200	2901