

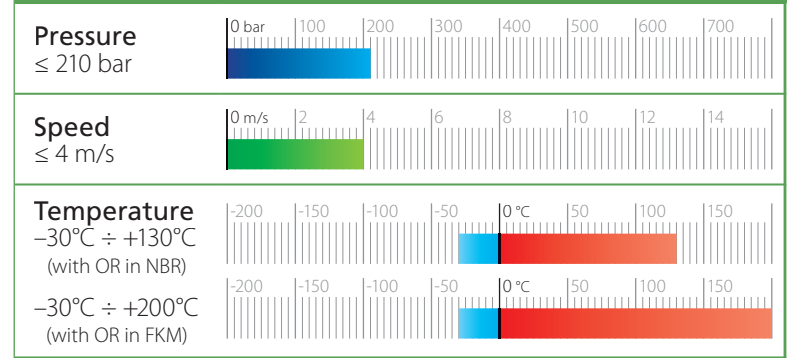
# YP



## MATERIAL

	② <b>Type Designation</b> Polytetrafluoroethylene PTFE SEALFLON ⇒ It can be provided with different fillers according to applications
	① <b>Type Designation</b> Nitril Rubber NBR RUBSEAL 70 <b>Hardness</b> 70 °ShA ⇒ It can be provided with different materials according to working conditions

## FIELD OF APPLICATION



**Fluids** High compatibility with nearly all fluids (with the right choice of O-Ring material)

## SURFACE ROUGHNESS

<b>Dynamic surface</b>	Ra ≤ 0.3 μm	Rt ≤ 2.5 μm
<b>Static surface</b>	Ra ≤ 1.6 μm	Rt ≤ 6.3 μm

## GAP DIMENSION "g"

The largest gap dimension appearing in operation on the non-pressurised side must comply with the ISO H8/f7:

NB: for the Gap calculation, it is necessary to consider the elastic deformation of metal elements under pressure loads.

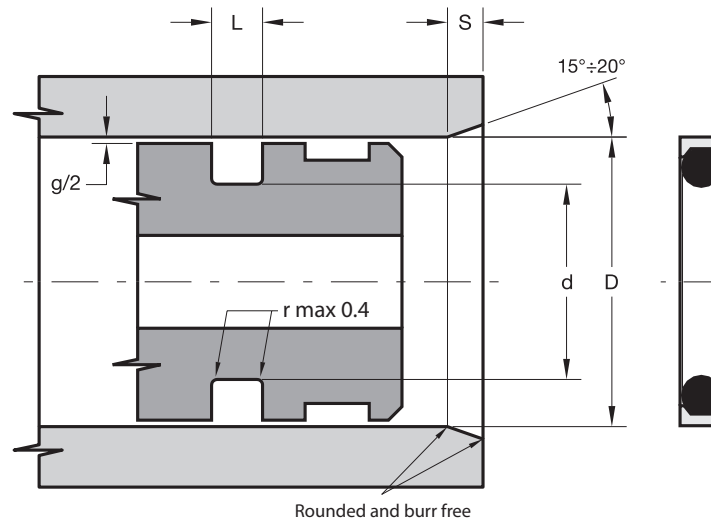
To avoid damaging the sealing lips during installation, housing must have rounded chamfers. Sharp edges and burrs within the installation area of the seal must be removed.

The above data are maximum values, they may be maintained for short periods and can not be used at the same time simultaneously.

The piston seal type Aston Seals YP, mainly suitable for low pressure conditions or pneumatic field, is composed of:

- A dynamic seal element which assures exceptional low friction and high speed performance, high compatibility with nearly all media due to the chemical resistance which exceeds that of all other thermoplastics and elastomers.
- A standard size O-Ring with low permanent deformation as energizing component on the static side
- Low static and dynamic friction, also without lubrication
- No tendency of stick-slip

- Space-saving construction and simple groove design
- Good resistance against extrusion
- High compatibility with nearly all fluids (with the right choice of O-Ring material)
- High speed allowed
- High temperature resistance

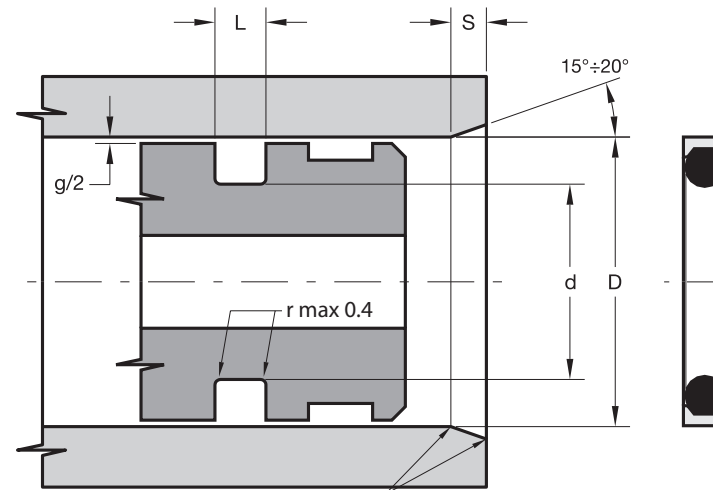


Part.	D <sup>H8</sup>	d <sup>h9</sup>	L <sup>+0.2</sup>	S	OR
YP 004-6	6	2.8	2.5	2.0	004
YP 006-7	7	3.7	2.5	2.0	006
YP 008-8	8	4.7	2.5	2.0	008
YP 009-9	9	5.7	2.5	2.0	009
YP 010-10	10	6.8	2.5	2.0	010
YP 011-11	11	7.6	2.5	2.0	011
YP 012-13	13	9.7	2.5	2.0	012
YP 110-15	15	10.1	3.5	2.5	110
YP 111-16	16	10.9	3.5	2.5	111
YP 112-18	18	13.1	3.5	2.5	112
YP 113-20	20	14.7	3.5	2.5	113
YP 114-21	21	15.9	3.5	2.5	114
YP 115-22	22	16.6	3.5	2.5	115
YP 116-25	25	19.8	3.5	2.5	116
YP 210-26	26	19.1	4.5	3.0	210
YP 211-28	28	21.2	4.5	3.0	211
YP 212-29	29	22.0	4.5	3.0	212
YP 213-30	30	22.9	4.5	3.0	213
YP 214-32	32	25.0	4.5	3.0	214
YP 215-34	34	27.0	4.5	3.0	215
YP 216-35	35	28.0	4.5	3.0	216
YP 217-37	37	30.0	4.5	3.0	217

Part.	D <sup>H8</sup>	d <sup>h9</sup>	L <sup>+0.2</sup>	S	OR
YP 218-38	38	30.9	4.5	3.0	218
YP 219-40	40	32.9	4.5	3.0	219
YP 220-42	42	35.0	4.5	3.0	220
YP 221-43	43	35.9	4.5	3.0	221
YP 222-45	45	37.9	4.5	3.0	222
YP 325-50	50	39.6	7.0	4.0	325
YP 326-52	52	41.8	7.0	4.0	326
YP 327-55	55	44.7	7.0	4.0	327
YP 328-58	58	47.7	7.0	4.0	328
YP 329-61	61	50.5	7.0	4.0	329
YP 330-65	65	54.7	7.0	4.0	330
YP 331-68	68	57.7	7.0	4.0	331
YP 332-70	70	59.5	7.0	4.0	332
YP 333-75	75	64.5	7.0	4.0	333
YP 334-77	77	66.6	7.0	4.0	334
YP 335-80	80	69.6	7.0	4.0	335
YP 336-85	85	74.5	7.0	4.0	336
YP 337-86	86	75.5	7.0	4.0	337
YP 338-90	90	79.5	7.0	4.0	338
YP 339-92	92	81.5	7.0	4.0	339
YP 340-95	95	84.5	7.0	4.0	340
YP 341-100	100	89.6	7.0	4.0	341

Part.	D <sup>H8</sup>	d <sup>h9</sup>	L <sup>+0.2</sup>	S	OR
YP 342-102	102	91.5	7.0	4.0	342
YP 343-105	105	94.5	7.0	4.0	343
YP 344-108	108	97.5	7.0	4.0	344
YP 345-111	111	100.6	7.0	4.0	345
YP 346-115	115	104.5	7.0	4.0	346
YP 347-118	118	107.5	7.0	4.0	347
YP 348-121	121	110.5	7.0	4.0	348
YP 349-125	125	114.5	7.0	4.0	349
YP 425-127	127	113.3	9.5	5.0	425
YP 426-130	130	116.3	9.5	5.0	426
YP 427-135	135	121.3	9.5	5.0	427
YP 428-137	137	123.3	9.5	5.0	428
YP 429-140	140	126.3	9.5	5.0	429
YP 430-143	143	129.3	9.5	5.0	430
YP 431-146	146	132.3	9.5	5.0	431
YP 432-150	150	136.3	9.5	5.0	432
YP 433-153	153	139.3	9.5	5.0	433
YP 434-156	156	142.3	9.5	5.0	434
YP 435-160	160	146.3	9.5	5.0	435
YP 436-162	162	148.3	9.5	5.0	436
YP 437-165	165	151.3	9.5	5.0	437
YP 438-172	172	158.3	9.5	5.0	438

Other sizes not present in the above table can be provided on request



Rounded and burr free

Part.	D <sup>H8</sup>	d <sup>h9</sup>	L <sup>+0.2</sup>	S	OR
<b>YP 439-178</b>	178	164.3	9.5	5.0	439
<b>YP 440-184</b>	184	170.3	9.5	5.0	440
<b>YP 441-191</b>	191	177.3	9.5	5.0	441
<b>YP 442-197</b>	197	183.3	9.5	5.0	442
<b>YP 443-203</b>	203	189.3	9.5	5.0	443
<b>YP 444-210</b>	210	196.3	9.5	5.0	444
<b>YP 445-216</b>	216	202.3	9.5	5.0	445
<b>YP 674-222</b>	222	208.3	9.5	5.0	674
<b>YP 446-230</b>	230	216.3	9.5	5.0	446
<b>YP 676-235</b>	235	221.3	9.5	5.0	676
<b>YP 447-242</b>	242	228.3	9.5	5.0	447
<b>YP 678-250</b>	250	236.3	9.5	5.0	678
<b>YP 448-255</b>	255	241.3	9.5	5.0	448
<b>YP 680-260</b>	260	246.3	9.5	5.0	680
<b>YP 449-270</b>	270	256.3	9.5	5.0	449

Part.	D <sup>H8</sup>	d <sup>h9</sup>	L <sup>+0.2</sup>	S	OR
<b>YP 682-275</b>	275	261.3	9.5	5.0	682
<b>YP 450-280</b>	280	266.3	9.5	5.0	450
<b>YP 684-286</b>	286	272.3	9.5	5.0	684
<b>YP 451-295</b>	295	281.3	9.5	5.0	451
<b>YP 686-300</b>	300	286.3	9.5	5.0	686
<b>YP 452-305</b>	305	291.3	9.5	5.0	452
<b>YP 688-315</b>	315	301.3	9.5	5.0	688
<b>YP 453-320</b>	320	306.3	9.5	5.0	453
<b>YP 454-330</b>	330	316.3	9.5	5.0	454
<b>YP 455-345</b>	345	331.3	9.5	5.0	455
<b>YP 456-355</b>	355	341.3	9.5	5.0	456
<b>YP 457-370</b>	370	356.3	9.5	5.0	457
<b>YP 458-380</b>	380	366.3	9.5	5.0	458
<b>YP 459-395</b>	395	381.3	9.5	5.0	459
<b>YP 460-410</b>	410	396.3	9.5	5.0	460

Other sizes not present in the above table can be provided on request