

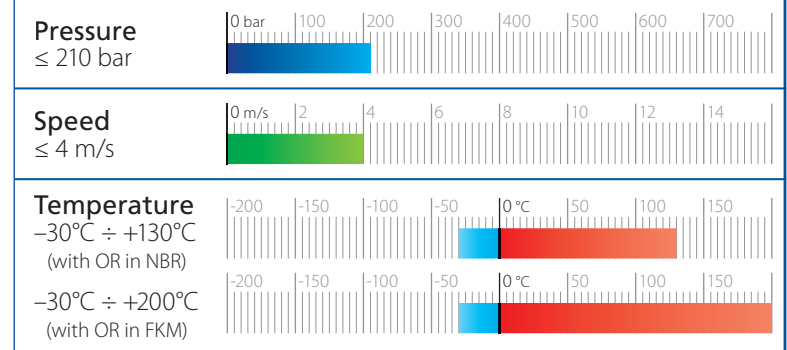
XC



MATERIAL

- ① **Type** Polytetrafluoroethylene PTFE
Designation SEALFLON
 ⇒ It can be provided with different fillers according to applications
- ② **Type** Nitril Rubber NBR
Designation RUBSEAL 70
Hardness 70 °ShA
 ⇒ It can be provided with different materials according to working conditions

FIELD OF APPLICATION



Fluids High compatibility with nearly all fluids (with the right choice of O-Ring material)

SURFACE ROUGHNESS

Dynamic surface	Ra ≤ 0.3 µm	Rt ≤ 2.5 µm
Static surface	Ra ≤ 1.6 µm	Rt ≤ 6.3 µm

GAP DIMENSION "g"

The largest gap dimension appearing in operation on the non-pressurised side must comply with the ISO H8/f7:

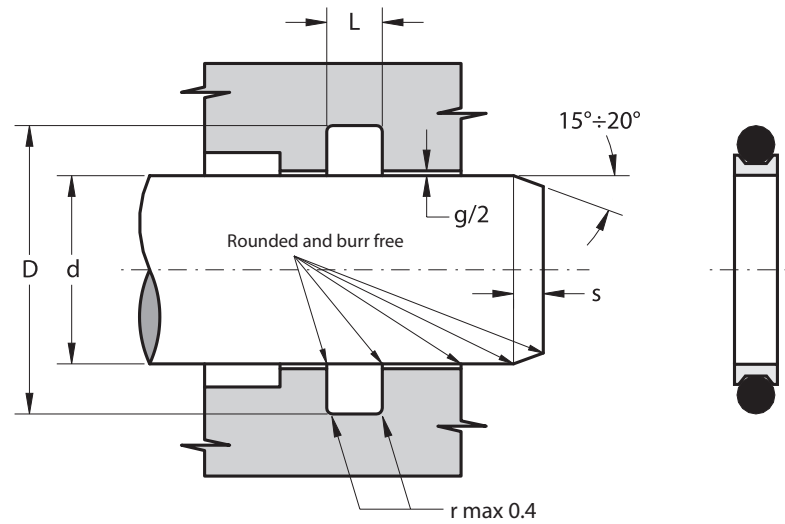
To avoid damaging the sealing lips during installation, housing must have rounded chamfers. Sharp edges and burrs within the installation area of the seal must be removed.

The above data are maximum values, they may be maintained for short periods and can not be used at the same time simultaneously.

The rod seal type Aston Seals XC, mainly suitable for low pressure conditions or pneumatic field, is composed of:

- A dynamic seal element which assures exceptional low friction and high speed performance, as well as high compatibility with nearly all media due to the chemical resistance which exceeds that of all other thermoplastics and elastomers.
- A standard size O-Ring with low permanent deformation as energizing component on the static side
- Low static and dynamic friction, also without lubrication
- No tendency of stick-slip

- Space-saving construction and simple groove design
- Good resistance against extrusion
- High compatibility with nearly all fluids (with the right choice of O-Ring material)
- High speed allowed
- High temperature resistance

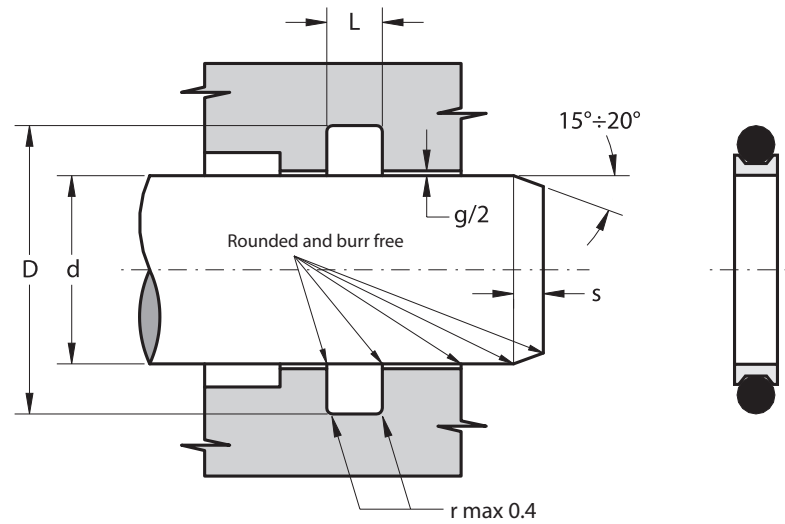


Part.	d ^{f7}	D ^{H9}	L ^{+0.2}	S	OR
XC 007-3	3	6.5	2.5	2.0	007
XC 008-4	4	7.5	2.5	2.0	008
XC 009-5	5	8.5	2.5	2.0	009
XC 010-6	6	9.5	2.5	2.0	010
XC 011-8	8	11.5	2.5	2.0	011
XC 012-10	10	13.5	2.5	2.0	012
XC 110-9	9	14.5	3.5	2.5	110
XC 111-11	11	16.5	3.5	2.5	111
XC 112-12	12	17.5	3.5	2.5	112
XC 113-14	14	19.5	3.5	2.5	113
XC 114-15	15	20.5	3.5	2.5	114
XC 115-17	17	22.5	3.5	2.5	115
XC 210-19	19	26.1	4.5	3.0	210
XC 211-20	20	27.1	4.5	3.0	211
XC 212-22	22	29.1	4.5	3.0	212
XC 213-23	23	30.1	4.5	3.0	213
XC 214-25	25	32.1	4.5	3.0	214
XC 215-27	27	34.1	4.5	3.0	215
XC 216-28	28	35.1	4.5	3.0	216
XC 217-30	30	37.1	4.5	3.0	217
XC 218-31	31	38.1	4.5	3.0	218
XC 219-33	33	40.1	4.5	3.0	219

Part.	d ^{f7}	D ^{H9}	L ^{+0.2}	S	OR
XC 220-35	35	42.1	4.5	3.0	220
XC 221-36	36	43.1	4.5	3.0	221
XC 325-38	38	48.4	7.0	4.0	325
XC 326-40	40	50.4	7.0	4.0	326
XC 327-45	45	55.4	7.0	4.0	327
XC 328-47	47	57.4	7.0	4.0	328
XC 329-50	50	60.4	7.0	4.0	329
XC 330-53	53	63.4	7.0	4.0	330
XC 331-57	57	67.4	7.0	4.0	331
XC 332-60	60	70.4	7.0	4.0	332
XC 333-63	63	73.4	7.0	4.0	333
XC 334-66	66	76.4	7.0	4.0	334
XC 335-70	70	80.4	7.0	4.0	335
XC 336-73	73	83.4	7.0	4.0	336
XC 337-75	75	85.4	7.0	4.0	337
XC 338-80	80	90.4	7.0	4.0	338
XC 339-82	82	92.4	7.0	4.0	339
XC 340-85	85	95.4	7.0	4.0	340
XC 341-90	90	100.4	7.0	4.0	341
XC 342-92	92	102.4	7.0	4.0	342
XC 343-95	95	105.4	7.0	4.0	343
XC 344-98	98	108.4	7.0	4.0	344

Part.	d ^{f7}	D ^{H9}	L ^{+0.2}	S	OR
XC 345-100	100	110.4	7.0	4.0	345
XC 346-104	104	114.4	7.0	4.0	346
XC 347-107	107	117.4	7.0	4.0	347
XC 348-111	111	121.4	7.0	4.0	348
XC 425-114	114	127.7	9.5	5.0	425
XC 426-117	117	130.7	9.5	5.0	426
XC 427-120	120	133.7	9.5	5.0	427
XC 428-123	123	136.7	9.5	5.0	428
XC 429-126	126	139.7	9.5	5.0	429
XC 430-130	130	143.7	9.5	5.0	430
XC 431-133	133	146.7	9.5	5.0	431
XC 432-136	136	149.7	9.5	5.0	432
XC 433-139	139	152.7	9.5	5.0	433
XC 434-142	142	155.7	9.5	5.0	434
XC 435-145	145	158.7	9.5	5.0	435
XC 436-149	149	162.7	9.5	5.0	436
XC 437-152	152	165.7	9.5	5.0	437
XC 438-158	158	171.7	9.5	5.0	438
XC 439-165	165	178.7	9.5	5.0	439
XC 440-170	170	183.7	9.5	5.0	440
XC 441-178	178	191.7	9.5	5.0	441
XC 442-184	184	197.7	9.5	5.0	442

Other sizes not present in the above table can be provided on request



Part.	d ^{f7}	D ^{H9}	L ^{+0.2}	S	OR
XC 443-190	190	203.7	9.5	5.0	443
XC 444-196	196	209.7	9.5	5.0	444
XC 445-203	203	216.7	9.5	5.0	445
XC 674-210	210	223.7	9.5	5.0	674
XC 446-215	215	228.7	9.5	5.0	446
XC 676-222	222	235.7	9.5	5.0	676
XC 447-230	230	243.7	9.5	5.0	447
XC 678-235	235	248.7	9.5	5.0	678
XC 448-240	240	253.7	9.5	5.0	448
XC 680-248	248	261.7	9.5	5.0	680
XC 449-255	255	268.7	9.5	5.0	449
XC 682-260	260	273.7	9.5	5.0	682
XC 450-265	265	278.7	9.5	5.0	450

Part.	d ^{f7}	D ^{H9}	L ^{+0.2}	S	OR
XC 684-273	273	286.7	9.5	5.0	684
XC 451-280	280	293.7	9.5	5.0	451
XC 686-285	285	298.7	9.5	5.0	686
XC 452-292	292	305.7	9.5	5.0	452
XC 688-300	300	313.7	9.5	5.0	688
XC 453-305	305	318.7	9.5	5.0	453
XC 454-318	318	331.7	9.5	5.0	454
XC 455-330	330	343.7	9.5	5.0	455
XC 456-342	342	355.7	9.5	5.0	456
XC 457-355	355	368.7	9.5	5.0	457
XC 458-370	370	383.7	9.5	5.0	458
XC 459-380	380	393.7	9.5	5.0	459
XC 460-393	393	406.7	9.5	5.0	460

Other sizes not present in the above table can be provided on request