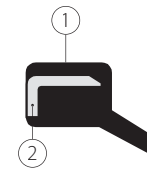


SMI



SMI

MATERIAL



① Type	Nitril Rubber NBR
Designation	RUBSEAL 90
Hardness	90 °ShA
② Type	Not alloyed steel

FIELD OF APPLICATION



Fluids
Hydraulic oils (mineral oil based)
For other fluids contact our technical department

SURFACE ROUGHNESS

Dynamic surface	Suitable for rod seal system
Static surface	Ra ≤ 1.6 µm Rt ≤ 6.3 µm

LEAD-IN CHAMFERS

d	Smin
less 100	5 mm
100÷200	7 mm
over 200	10 mm

Pay attention to the groove "D" diameter because, if larger, the wiper could be ejected during work.

Any pressure loads on the back of the rings should be avoided. Sharp edges and burrs within the installation area must be removed.

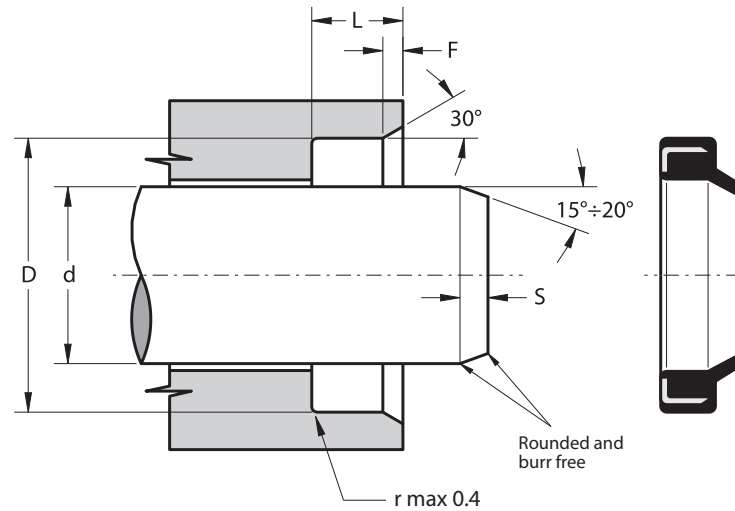
The above data are maximum values, they may be maintained for short periods and can not be used at the same time simultaneously.

The function of the Aston Seals SMI wiper ring is to prevent introduction of dust, dirt and foreign matter into the system. This is achieved by a special wiper lip which produces a very effective cleaning action, prevents the development of scores, protects the guiding parts and extends the service life of the axial moving rod seals.

A flush fitting with the outside diameter of the metal cage prevents moisture from entering the groove.

The material used to produce the wiper element is a nitril rubber with hardness 90 °ShA that ensures a good wear-resistance in case of dry run and an extended service life.

- Easy construction housing
- Tight fit in the groove
- High speed allowed
- Good wear-resistance
- Extended service life
- Low cost solution
- Space-saving construction



Part.	d ^{f7}	D ^{H8}	L ^{+0.2}	F
SMI 6 13 3.5	6	13	3.5	0.5
SMI 8 14 3.5	8	14	3.5	0.6
SMI 10 16 3.5	10	16	3.5	0.6
SMI 12 18 3.5	12	18	3.5	0.6
SMI 14 20 3.5	14	20	3.5	0.6
SMI 15 21 3.5	15	21	3.5	0.6
SMI 15 25 5	15	25	5.0	1.0
SMI 16 22 3.5	16	22	3.5	0.5
SMI 16 26 5	16	26	5.0	1.0
SMI 18 24 4	18	24	4.0	0.8
SMI 18 28 5	18	28	5.0	1.0
SMI 20 30 5	20	30	5.0	1.0
SMI 20 30 7	20	30	7.0	1.5
SMI 22 32 5	22	32	5.0	1.0
SMI 22 32 7	22	32	7.0	1.5
SMI 25 35 5	25	35	5.0	1.0
SMI 25 35 7	25	35	7.0	1.5
SMI 26 35 7	26	35	7.0	1.5

Part.	d ^{f7}	D ^{H8}	L ^{+0.2}	F
SMI 28 38 5	28	38	5.0	1.0
SMI 30 40 5	30	40	5.0	1.0
SMI 30 40 7	30	40	7.0	1.5
SMI 32 42 5	32	42	5.0	1.0
SMI 35 45 7	35	45	7.0	1.5
SMI 36 45 7	36	45	7.0	1.5
SMI 36 46 5	36	46	5.0	1.0
SMI 38 48 7	38	48	7.0	1.5
SMI 40 50 5	40	50	5.0	1.0
SMI 40 50 7	40	50	7.0	1.5
SMI 45 55 5	45	55	5.0	1.0
SMI 45 55 7	45	55	7.0	1.5
SMI 50 60 5	50	60	5.0	1.0
SMI 50 60 7	50	60	7.0	1.5
SMI 55 65 5	55	65	5.0	1.0
SMI 55 65 7	55	65	7.0	1.5
SMI 60 70 5	60	70	5.0	1.0
SMI 60 70 7	60	70	7.0	1.5

Part.	d ^{f7}	D ^{H8}	L ^{+0.2}	F
SMI 65 75 5	65	75	5.0	1.0
SMI 65 75 7	65	75	7.0	1.5
SMI 70 80 5	70	80	5.0	1.0
SMI 70 80 7	70	80	7.0	1.5
SMI 75 83 7	75	83	7.0	1.5
SMI 75 85 7	75	85	7.0	1.5
SMI 80 88 7	80	88	7.0	1.5
SMI 80 90 7	80	90	7.0	1.5
SMI 85 95 7	85	95	7.0	1.5
SMI 90 100 7	90	100	7.0	1.5
SMI 100 110 7	100	110	7.0	1.5
SMI 100 120 7	100	120	7.0	1.5
SMI 110 120 7	110	120	7.0	1.5
SMI 120 130 7	120	130	7.0	1.5
SMI 130 145 9	130	145	9.0	2.0
SMI 140 155 9	140	155	9.0	2.0
SMI 150 165 9	150	165	9.0	2.0
SMI 160 175 9	160	175	9.0	2.0