

SAW



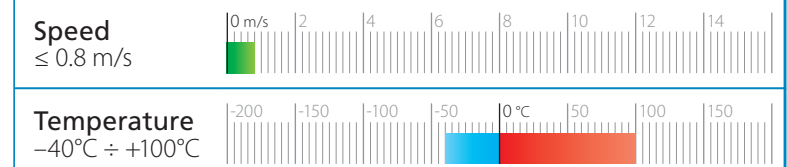
SAW

MATERIAL



Type	Designation	Hardness
Thermoplastic polyester resin	SEALITE 63	63 °ShD

FIELD OF APPLICATION



Fluids Hydraulic oils (mineral oil based)
For other fluids contact our technical department

SURFACE ROUGHNESS

Dynamic surface	Suitable for rod seal system	
Static surface	Ra ≤ 1.6 µm	Rt ≤ 6.3 µm

LEAD-IN CHAMFERS

d	Smin
less 100	5 mm
100÷200	7 mm
over 200	10 mm

Any pressure loads on the back of the rings should be avoided. Sharp edges and burrs within the installation area must be removed.

The above data are maximum values, they may be maintained for short periods and can not be used at the same time simultaneously.

The function of the Aston Seals SAW wiper ring is to prevent introduction of dust, dirt, foreign matter and heavily deposited ice and mud into the system.

This is achieved by a special wiper lip which produces a very effective cleaning action, prevents the development of scores, protects the guiding parts and extends the service life of the axial moving rod seals.

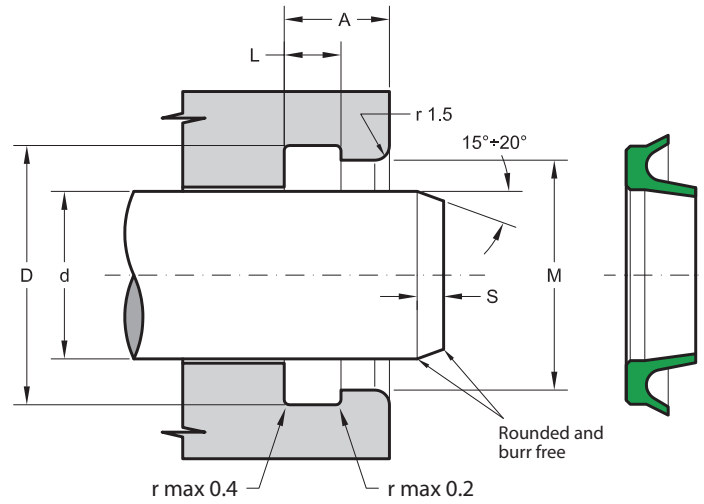
This type of wiper is designed to snap fit into its housing. To work properly it is important that its assembly is done with care.

The material used to produce this wiper is a special polyester resin that ensures excellent properties in case heavy applications, an

increased wear-resistance and an extended service life.

- Designed to snap fit into its housing
- Suitable for medium-heavy applications
- Extended service life
- Low cost solution
- Excellent wear-resistance
- Space-saving construction
- Easy installation without expensive auxiliaries

SAW



Part.	d ^{f7}	D ^{H10}	L ^{+0.2}	A	M ^{-0.2}
SAW 16	16	26.0	4.5	6.5	24.5
SAW 18	18	28.0	4.5	6.5	26.5
SAW 20	20	33.0	6.0	8.5	31.5
SAW 22	22	35.0	6.0	8.5	33.5
SAW 25	25	38.0	6.0	8.5	36.5
SAW 28	28	41.0	6.0	8.5	39.5
SAW 30	30	43.0	6.0	8.5	41.5
SAW 32	32	45.0	6.0	8.5	43.5
SAW 36	36	49.0	6.0	8.5	47.5
SAW 40	40	53.0	6.0	8.5	51.5
SAW 45	45	58.0	6.0	8.5	56.5
SAW 50	50	63.0	6.0	8.5	61.5
SAW 55	55	68.0	6.0	8.5	66.5
SAW 56	56	69.0	6.0	8.5	67.5
SAW 60	60	73.0	6.0	8.5	71.5
SAW 63	63	76.0	6.0	8.5	74.5
SAW 65	65	78.0	6.0	8.5	76.5
SAW 70	70	83.0	6.0	8.5	81.5
SAW 80	80	93.0	6.0	8.5	91.5
SAW 90	90	103.0	6.0	8.5	101.5
SAW 100	100	113.0	6.0	8.5	111.5