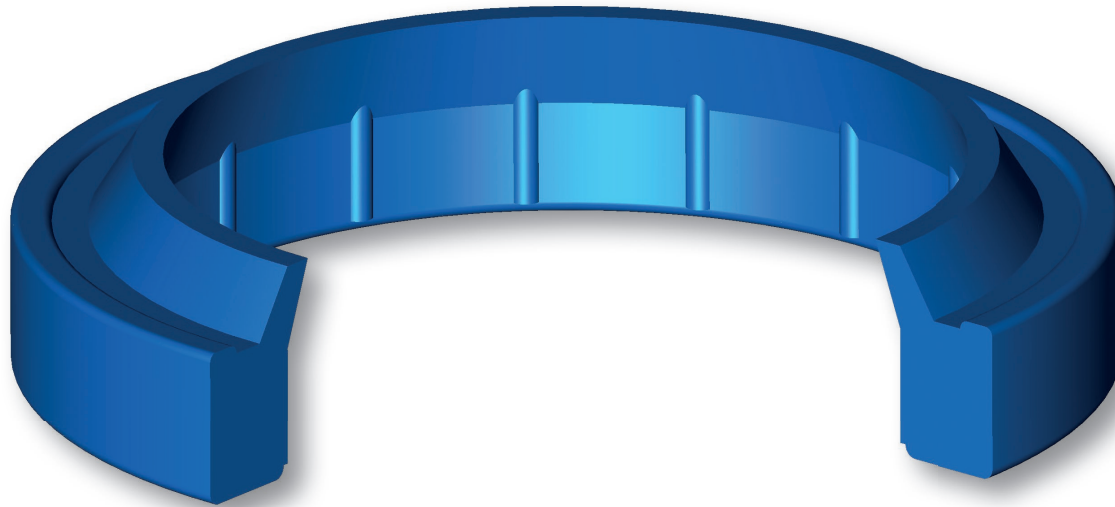


# SAF



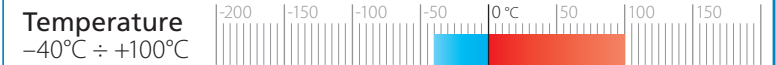
SAF

## MATERIAL



<b>Type</b>	<b>Designation</b>	<b>Hardness</b>
Polyurethane	SEALPUR 93	93 °ShA

## FIELD OF APPLICATION



**Fluids** Hydraulic oils (mineral oil based)  
For other fluids contact our technical department

## SURFACE ROUGHNESS

<b>Dynamic surface</b>	Suitable for rod seal system	
<b>Static surface</b>	Ra ≤ 1.6 µm	Rt ≤ 6.3 µm

## LEAD-IN CHAMFERS

d	Smin
less 100	5 mm
100÷200	7 mm
over 200	10 mm

Any pressure loads on the back of the rings should be avoided.  
Sharp edges and burrs within the installation area must be removed.

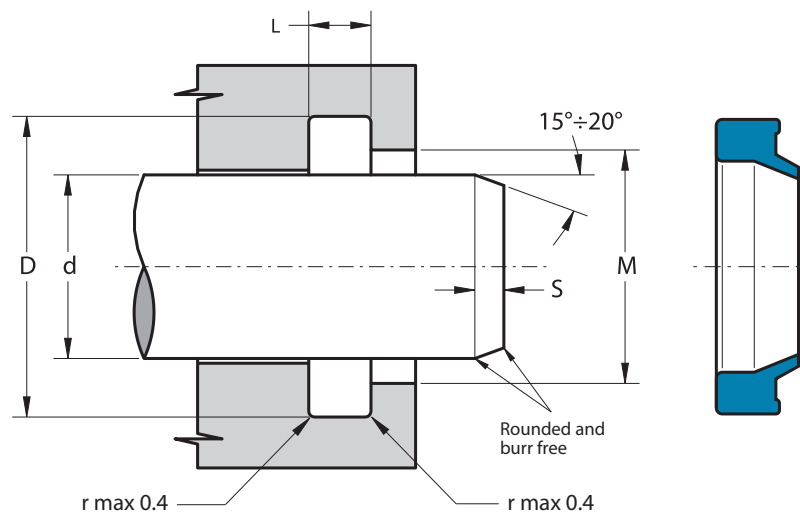
The above data are maximum values, they may be maintained for short periods and can not be used at the same time simultaneously.

The function of the Aston Seals SAF wiper ring is to prevent introduction of dust, dirt and foreign matter into the system.

This is achieved by a special wiper lip which produces a very effective cleaning action, prevents the development of scores, protects the guiding parts and extends the service life of the axial moving rod seals.

The material used to produce this wiper is a polyurethane compound that ensures excellent properties in case of dry run, an increased wear-resistance and an extended service life due to good resistance against ozone and radiation caused by weather conditions.

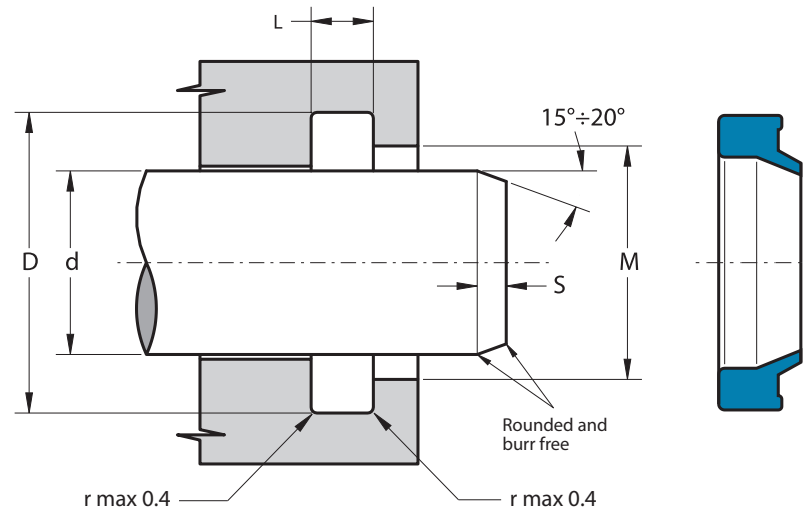
- Extended service life
- Low cost solution
- Excellent wear-resistance
- Space-saving construction
- No close tolerances are necessary
- Easy installation without expensive auxiliaries



Part.	d <sup>f7</sup>	D <sup>H10</sup>	L <sup>+0.2</sup>	M <sup>+0.2</sup>
SAF 8	8	14.6	3.8	11.0
SAF 12/A	12	17.0	2.9	15.0
SAF 14	14	20.6	3.8	17.0
SAF 15	15	21.6	3.8	18.0
SAF 16	16	22.6	3.8	19.0
SAF 16/C	16	25.0	4.5	19.0
SAF 16/D	16	21.0	3.8	19.0
SAF 18	18	24.6	3.8	21.0
SAF 20	20	28.6	5.3	23.0
SAF 20/B	20	29.0	3.5	23.0
SAF 20/C	20	29.0	4.5	23.0
SAF 20/T	20	28.6	5.2	23.0
SAF 22/A	22	31.0	4.5	25.0
SAF 22/B	22	27.0	3.0	24.5
SAF 22/T	22	30.6	5.2	25.0
SAF 25	25	33.6	5.3	28.0
SAF 25/A	25	34.2	4.5	28.2
SAF 25/S	25	33.6	5.0	28.0
SAF 25/T	25	33.6	5.2	28.0
SAF 28	28	36.6	5.3	31.0
SAF 28/A	28	33.6	3.2	30.6
SAF 28/T	28	36.6	5.2	31.0
SAF 30	30	38.6	5.3	33.0
SAF 30/B	30	42.0	3.2	34.4

Part.	d <sup>f7</sup>	D <sup>H10</sup>	L <sup>+0.2</sup>	M <sup>+0.2</sup>
SAF 30/C	30	39.2	4.5	33.2
SAF 30/T	30	38.6	5.2	33.0
SAF 32	32	40.6	5.3	35.0
SAF 32/T	32	40.6	5.2	35.0
SAF 35	35	43.6	5.3	38.0
SAF 35/B	35	43.9	6.3	38.0
SAF 35/T	35	43.6	5.2	38.0
SAF 36	36	44.6	5.3	39.0
SAF 38/T	38	46.6	5.2	41.0
SAF 40	40	48.6	5.3	43.0
SAF 40/A	40	52.0	3.2	45.0
SAF 40/T	40	48.6	5.2	43.0
SAF 42	42	50.6	5.3	45.0
SAF 42/A	42	50.0	4.0	45.6
SAF 45	45	53.6	5.3	48.0
SAF 45/A/T	45	55.6	5.2	48.0
SAF 45/B	45	56.0	3.5	50.0
SAF 48/A/T	48	60.6	5.2	54.0
SAF 50	50	58.6	5.3	53.0
SAF 50/A/T	50	60.6	5.2	53.0
SAF 50/B	50	58.6	6.3	53.0
SAF 52/A	52	60.6	6.3	55.0
SAF 55	55	63.6	5.3	58.0
SAF 55/A/T	55	65.6	5.2	58.0

Part.	d <sup>f7</sup>	D <sup>H10</sup>	L <sup>+0.2</sup>	M <sup>+0.2</sup>
SAF 55/B	55	63.6	4.3	58.0
SAF 60	60	68.6	5.3	63.0
SAF 60/A/T	60	70.6	5.2	63.0
SAF 63/A/T	63	73.6	5.2	66.0
SAF 63/B	63	73.0	6.3	70.0
SAF 65	65	73.6	5.3	68.0
SAF 65/A/T	65	75.6	5.2	68.0
SAF 65/B	65	72.6	2.3	68.0
SAF 65/C	65	77.0	3.2	70.0
SAF 65/D	65	77.6	7.3	70.0
SAF 70	70	78.6	5.3	73.0
SAF 70/B/T	70	80.6	5.2	73.0
SAF 70/C	70	78.6	6.3	73.0
SAF 75/T	75	83.6	5.2	78.0
SAF 78/B	78	86.0	5.0	81.0
SAF 80/A/T	80	92.2	7.0	86.0
SAF 97/A/T	97	105.6	5.2	100.0
SAF 110	110	122.2	7.1	116.0
SAF 111/A	111	126.0	6.8	118.0
SAF 118/B	118	126.0	5.0	121.0
SAF 124/A	124	139.0	6.8	131.0
SAF 135/A	135	150.0	9.5	145.0
SAF 140/B	140	155.0	6.8	147.0
SAF 142/A	142	151.6	5.3	146.0



Part.	$d^{f7}$	$D^{H10}$	$L^{+0.2}$	$M^{+0.2}$
<b>SAF 142/B</b>	142	153.6	6.3	147.0
<b>SAF 143/B</b>	143	151.0	5.5	146.0
<b>SAF 145/B</b>	145	160.0	9.5	155.0
<b>SAF 150/C</b>	150	165.0	9.5	160.0
<b>SAF 155/A</b>	155	170.0	6.8	162.0
<b>SAF 160/A</b>	160	175.0	9.5	170.0
<b>SAF 170/A</b>	170	185.0	6.8	177.0
<b>SAF 186/A</b>	186	201.0	6.8	193.0
<b>SAF 200/A</b>	200	215.0	9.5	210.0
<b>SAF 216/A</b>	216	231.0	6.8	223.0

Inch sizes

<b>SAF 1000</b>	25.4	33.02	4.1	28.4
<b>SAF 3000</b>	76.2	88.9	6.3	83.9
<b>SAF 6500</b>	165.1	190.5	12.7	182.9
<b>SAF 7000</b>	177.8	203.2	12.7	195.6