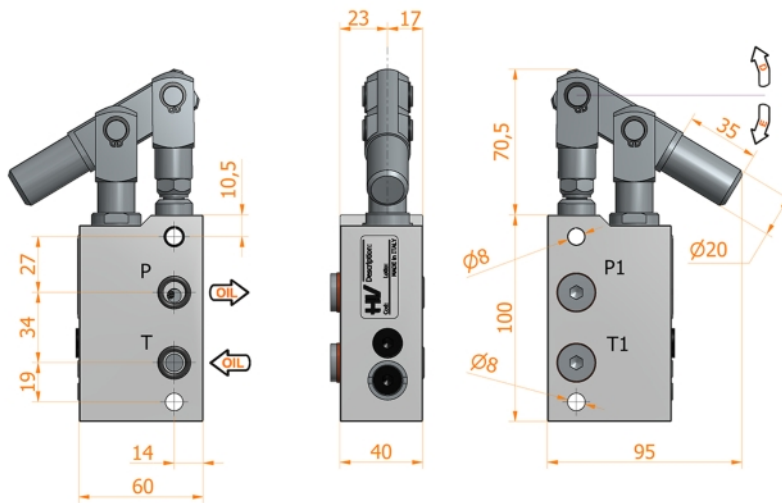
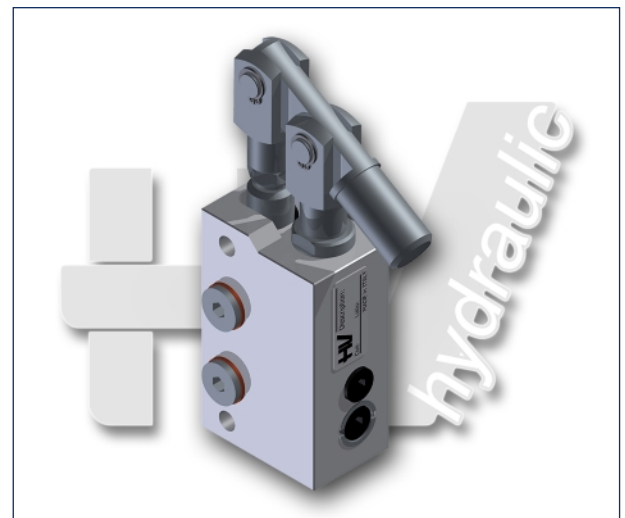
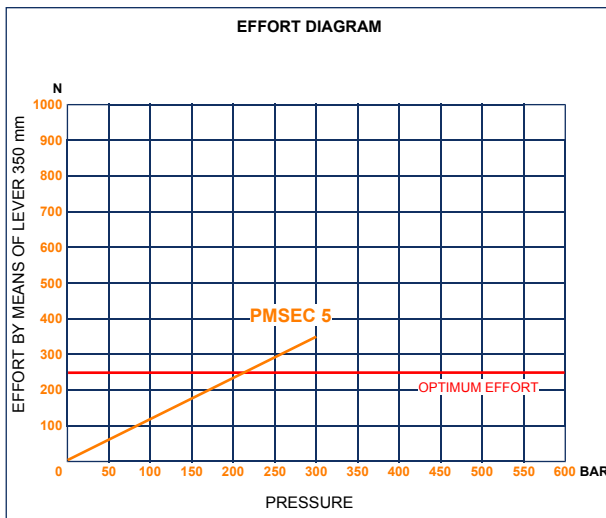
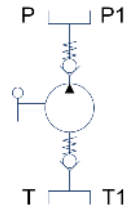




PMSEC 5 eb

without release hand knob
single-acting version to operate a single-acting cylinder
for fixing to a wall



Specifications:

- Aluminium body
- Niploy coated piston
- White zinc plated support lever
- Lever connection $\varnothing 20$
- White zinc plated external parts

DISPLACEMENT cm ³	A mm	B mm	C mm	D °	E °	ACTUAL DISPLACEMENT cm ³	PRESSURE BAR		MASS KG	CODE WITHOUT BELLOWS	CODE WITH BELLOWS
							OPTIMAL	MAX			
5	--	--	--	31	31	5,380	215	300	1,120	6106.0001	--