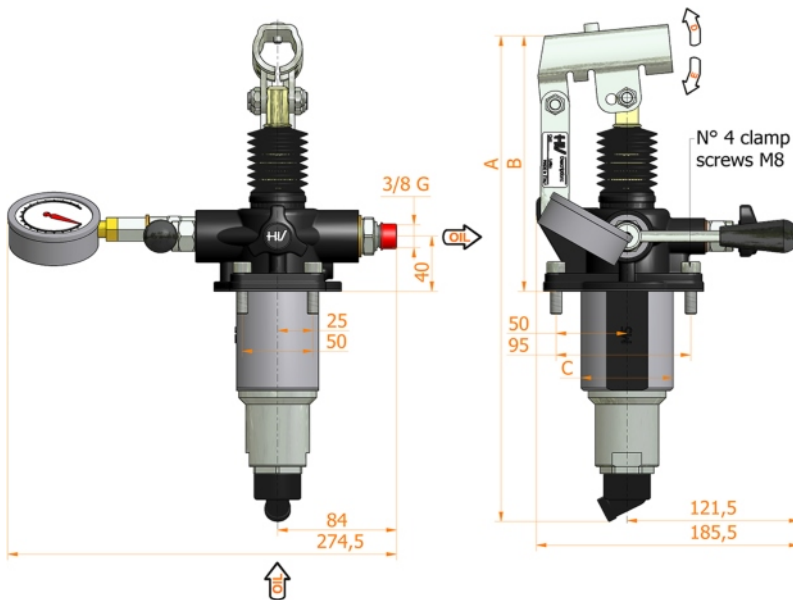
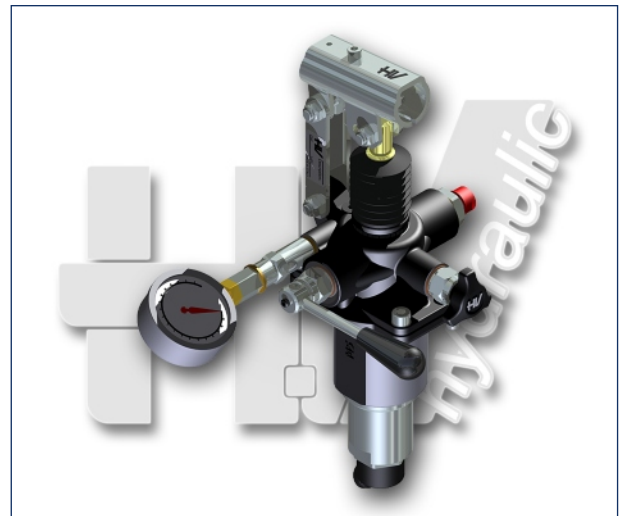
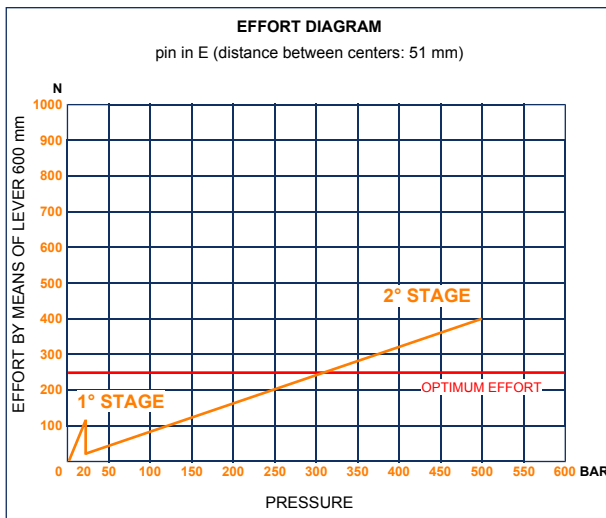
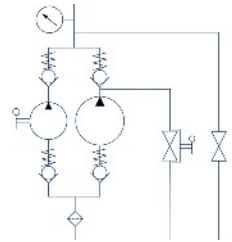




PM2V 5/80 Lm-M-s

with release hand knob
 with exclusion lever for the 1st speed
 with pressure-gauge
 two speed hand pump for a single acting cylinder
 for fixing to tank



Specifications:

- Cast iron body
- Piston treated with Niploy
- White zinc plated support lever
- Lever connection Ø 27
- White zinc plated external parts
- Standard colour black
- Oil tank mounting kit included

| DISPLACEMENT cm ³ | A mm | B mm | C mm | D ° | E ° | DISPLACEMENT cm ³ | | PRESSURE BAR | | MASS KG | CODE WITHOUT BELLOWS | CODE WITH BELLOWS |
|---------------------------------|---------|---------|---------|--------|--------|------------------------------|---------|--------------|---------|------------|----------------------------|-------------------------|
| | | | | | | STAGE 1 | STAGE 2 | STAGE 1 | STAGE 2 | | | |
| 5-80 | 354 | 185 | 65 | 30 | 32 | 80,588 | 5,036 | 20 | 500 | 6,200 | 6071.0103 | 6071.0130 |
| | | | | | | | | | | | | |
| | | | | | | | | | | | | |
| | | | | | | | | | | | | |
| | | | | | | | | | | | | |