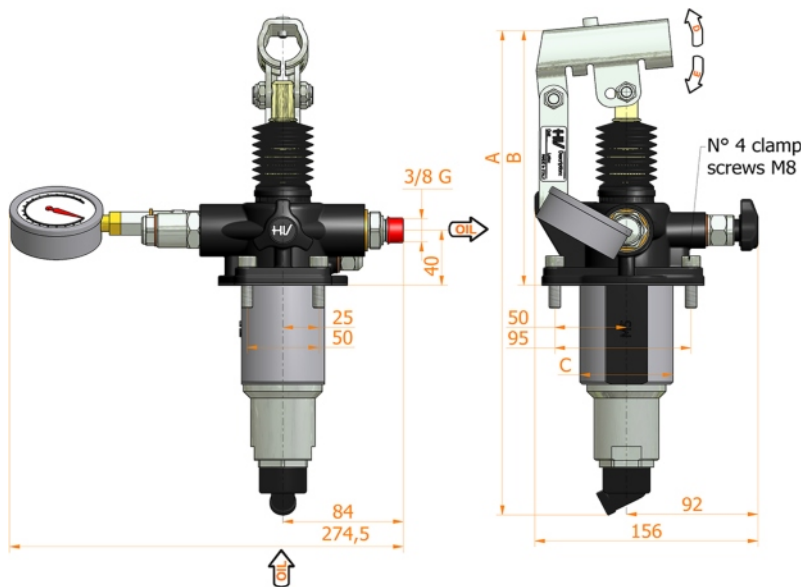
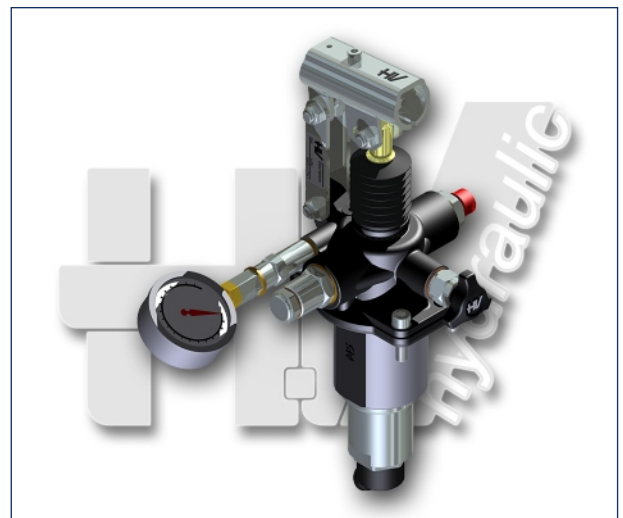
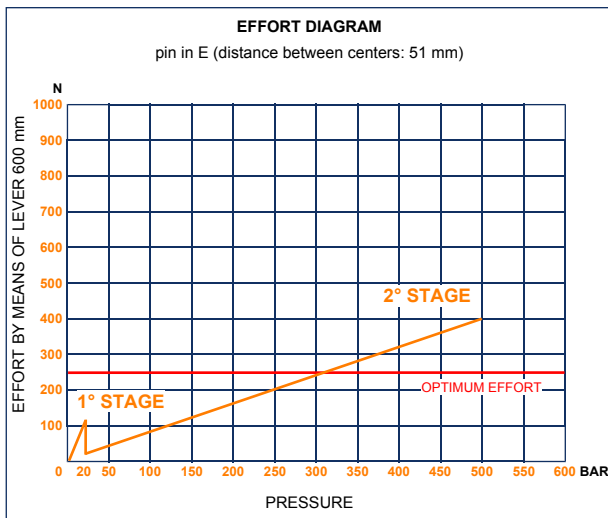
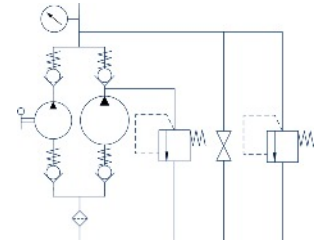




# PM2V 5/80 a-byB-M-s

with release hand knob  
 with automatic control for the 1st speed  
 with pressure relief valve and pressure-gauge  
 two speed hand pump for a single acting cylinder  
 for fixing to tank



- Specifications:**
- Cast iron body
  - Piston treated with Niploy
  - White zinc plated support lever
  - Lever connection Ø 27
  - White zinc plated external parts
  - Standard colour black
  - Oil tank mounting kit included
  - Pressure relief valve standard setting: 400 bar

DISPLACEMENT cm <sup>3</sup>	A mm	B mm	C mm	D °	E °	DISPLACEMENT cm <sup>3</sup>		PRESSURE BAR		MASS KG	CODE WITHOUT BELLOWS	CODE WITH BELLOWS
						STAGE 1	STAGE 2	STAGE 1	STAGE 2			
5-80	354	185	65	30	32	80,588	5,036	20	500	6,200	6071.0111	6071.0138