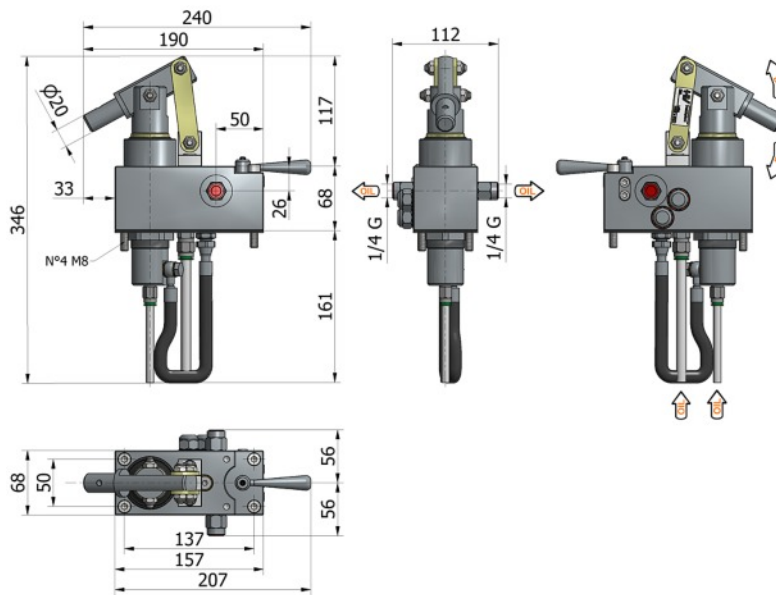
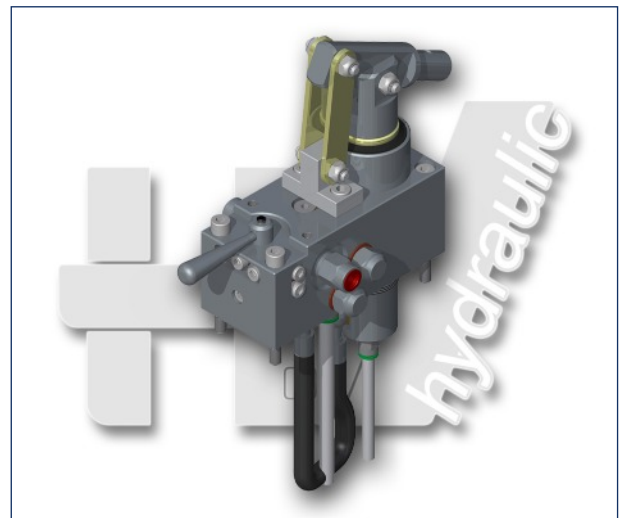
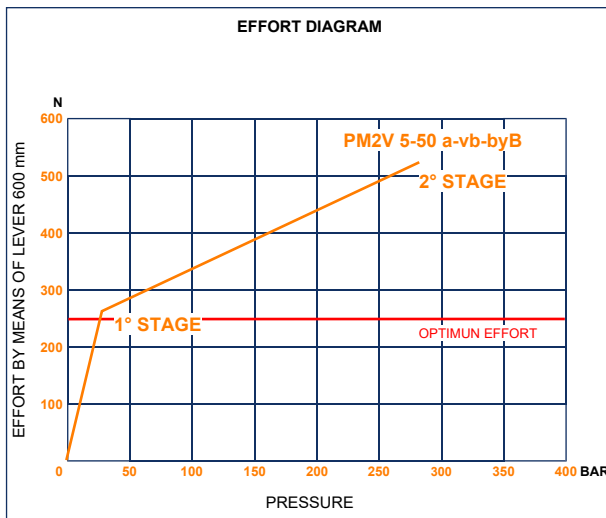
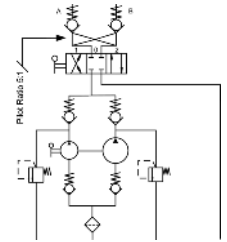




PM2V 5-50 a-vb-byB

with release hand knob
 with automatic control for the 1st speed
 with pressure relief valve and pressure-gauge
 two speed hand pump for a single acting cylinder
 for fixing to tank



Specifications:

- Yellow zinc plating + sealant 15 micron external parts
- Piston treated with Niploy
- Lever connection $\varnothing 20$
- Pressure relief valve standard setting: 280 bar
- Oil tank mounting kit included

DISPLACEMENT cm ³	A mm	B mm	C mm	D °	E °	DISPLACEMENT cm ³		PRESSURE BAR		MASS KG	CODE WITHOUT BELLOWS	CODE WITH BELLOWS
						STAGE 1	STAGE 2	STAGE 1	STAGE 2			
5-50	--	--	--	29	27	50,200	5,300	30	280	7,578	6070.6040	--