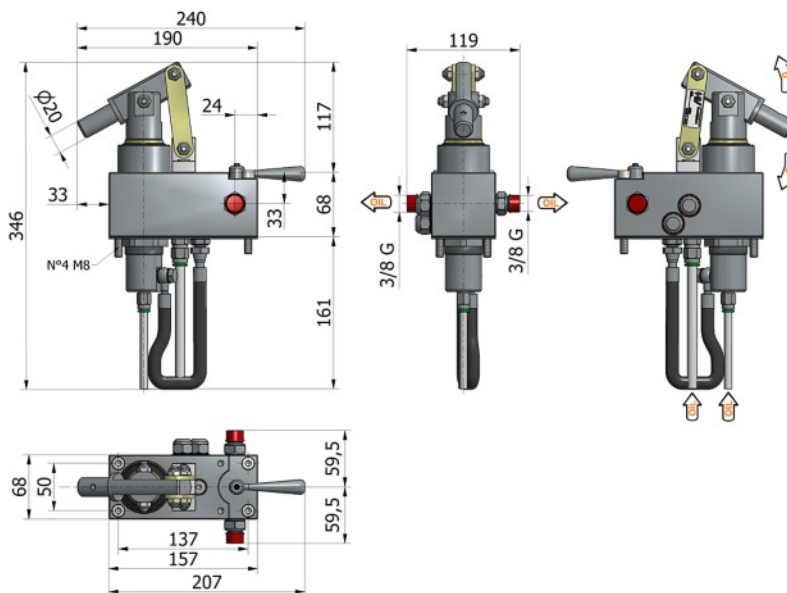
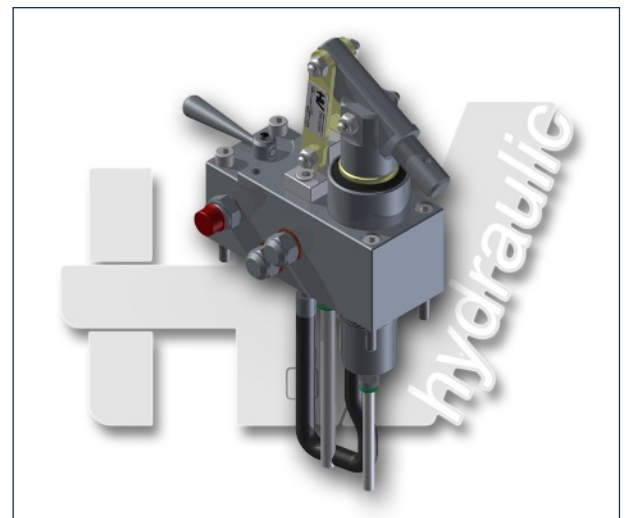
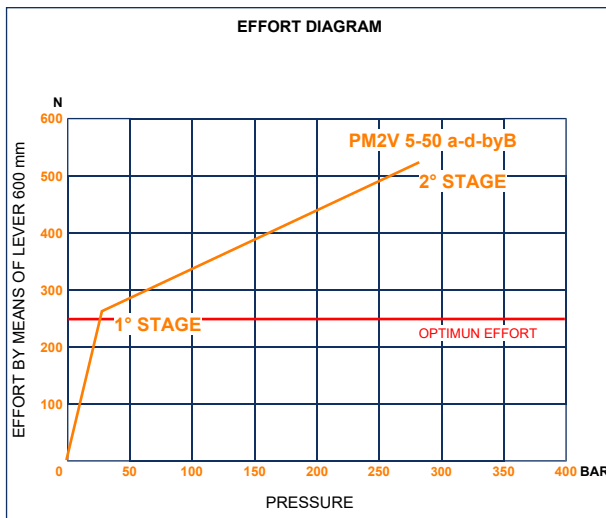
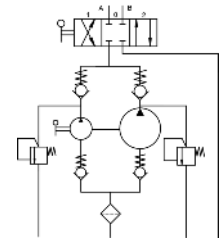




PM2V 5-50 a-d-byB

with release hand knob
 with automatic control for the 1st speed
 with pressure relief valve and pressure-gauge
 two speed hand pump for a single acting cylinder
 for fixing to tank



- Specifications:**
- Yellow zinc plating + sealant 15 micron external parts
 - Piston treated with Niploy
 - Lever connection Ø 20
 - Pressure relief valve standard setting: 280 bar
 - Oil tank mounting kit included

DISPLACEMENT cm ³	A mm	B mm	C mm	D °	E °	DISPLACEMENT cm ³		PRESSURE BAR		MASS KG	CODE WITHOUT BELLOWS	CODE WITH BELLOWS
						STAGE 1	STAGE 2	STAGE 1	STAGE 2			
5-50	--	--	--	29	27	50,200	5,300	30	280	7,747	6070.6010	--