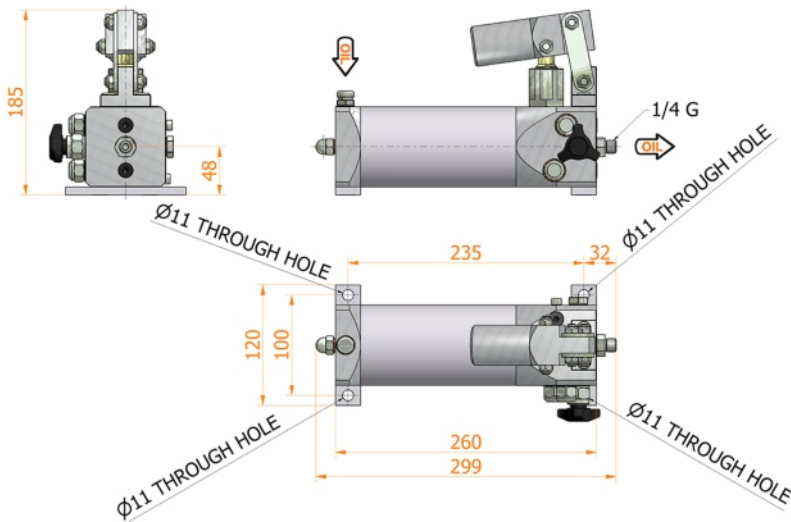
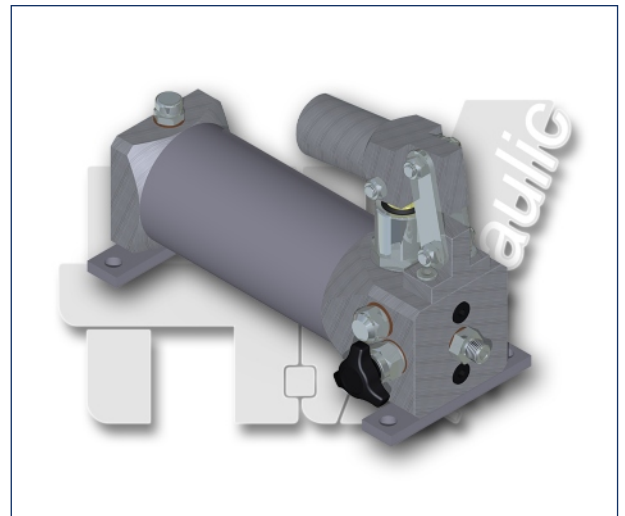
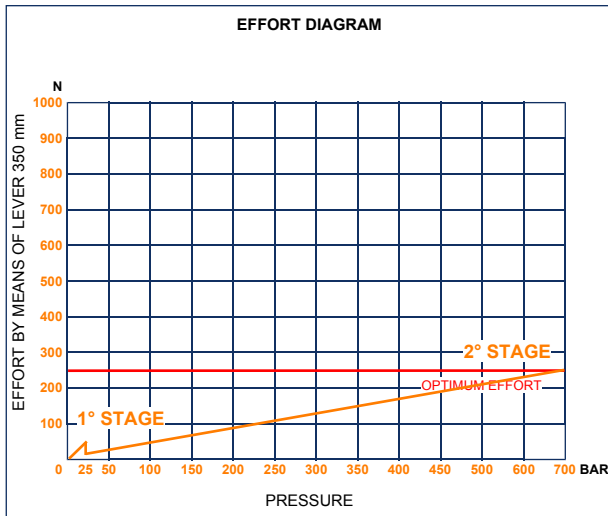
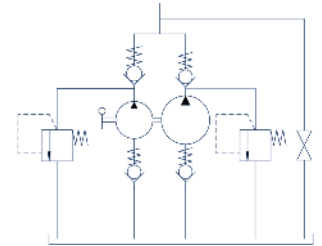




# PM2V 2/10 a

- with release hand knob
- with automatic control for 1st step
- with pressure relief valve
- with pressure-gauge prearrangement
- double speed hand pump for single acting cylinder
- tank lt. 0,6



- Specifications:**
- Aluminium Ergal body
  - Piston treated with Niploy
  - Aluminium Ergal support lever
  - Lever connection Ø 20
  - White zinc plated external parts
  - Pressure relief valve standard setting: 500 bar
  - With pressure-gauge prearrangement, connection: 1/4 G

DISPLACEMENT cm <sup>3</sup>	A mm	B mm	C mm	D °	E °	DISPLACEMENT cm <sup>3</sup>		PRESSURE BAR		MASS KG	CODE WITHOUT BELLOWS	CODE WITH BELLOWS
						STAGE 1	STAGE 2	STAGE 1	STAGE 2			
2-10	--	--	--	--	--	7,284	1,004	25	700	3,800	6072.0000	--