



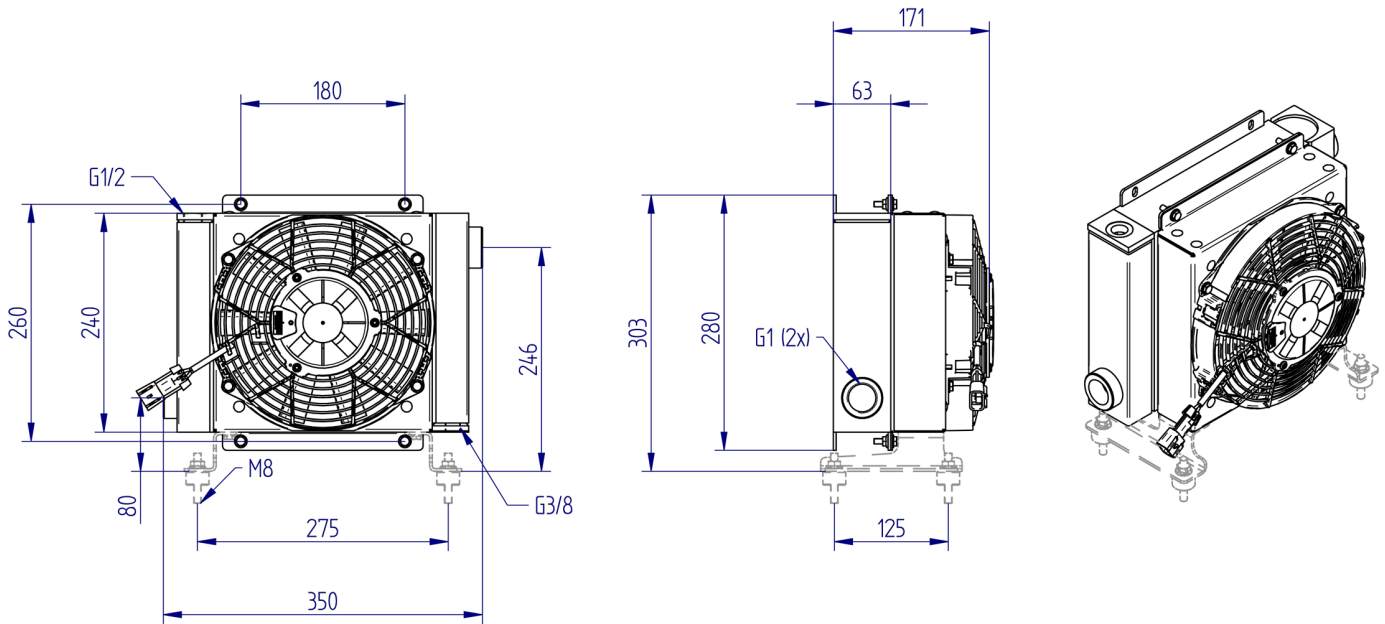
IT EN DE FR ES

HY series HY018.1-02A

AIR-OIL HEAT EXCHANGERS

IP68

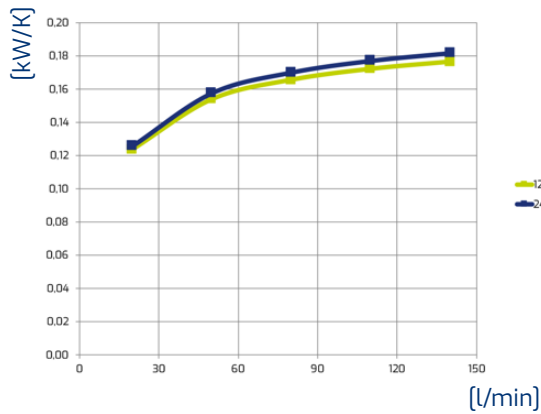
12
Volt



Technical data

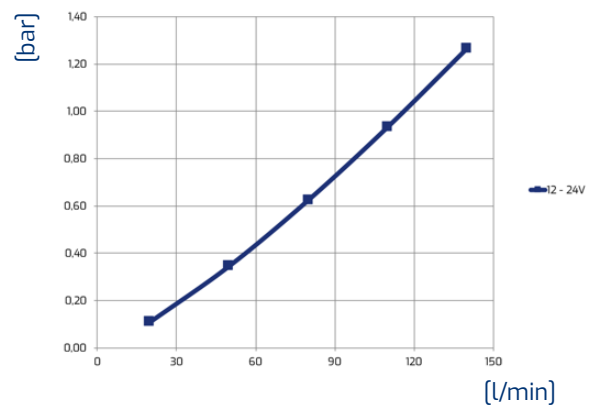
Item	Oil flow [l/min]	Capacity [l]	Weight [kg]	Voltage [V]	Frequency [Hz]	Current absorption [A]	Power [W]	Ø Fan [mm]	Air flow [m³/h]	Noise level [db(A)]	Rpm
HY018.1-02A	20-140	1,5	8	12		7,40	90	225	805	66,5	

Performance



Oil T 80°C
T Amb. 40°C
1 kW = 860 Kcal/h – 1 HP = 0,75 kW

Pressure drop



ISO VG 32 at 40°C

Viscosity - ISO VG 32 Oil

Oil	22	32	46	68	150
Correction factor	0,8	1	1,2	1,6	3

Technical data are not binding