



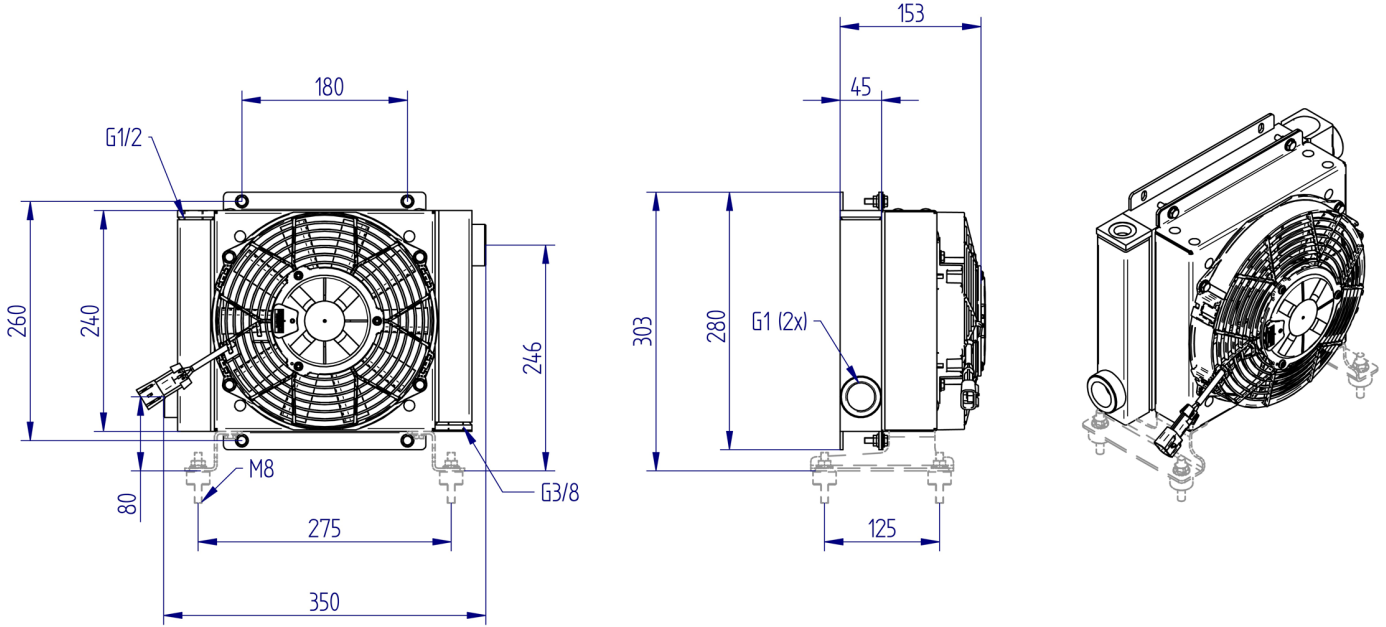
IT EN DE FR ES

HY series HY016.1-02A

AIR-OIL HEAT EXCHANGERS

IP68

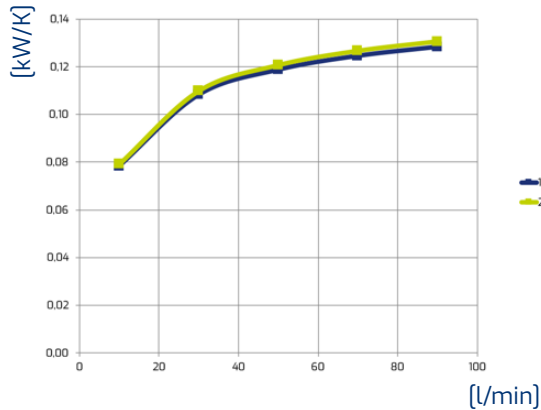
12
Volt



Technical data

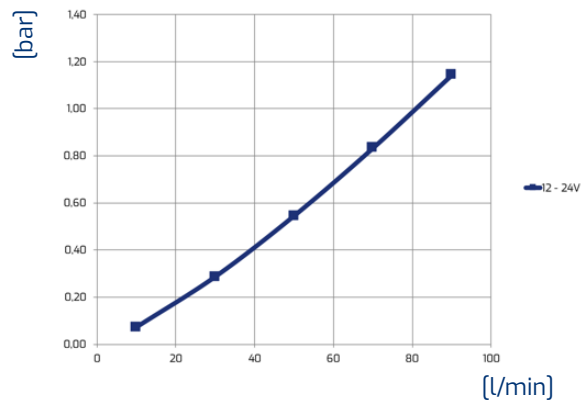
Item	Oil flow	Capacity	Weight	Voltage	Frequency	Current absorption	Power	Ø Fan	Air flow	Noise level	Rpm
	[l/min]	[l]	[kg]	[V]	[Hz]	[A]	[W]	[mm]	[m³/h]	[db(A)]	
HY016.1-02A	10-90	0,7	6,5	12		7,30	110	225	615	66,5	

Performance



Oil T 80°C
T Amb. 40°C
1 kW = 860 Kcal/h – 1 HP = 0,75 kW

Pressure drop



ISO VG 32 at 40°C

Viscosity - ISO VG 32 Oil

Oil	22	32	46	68	150
Correction factor	0,8	1	1,2	1,6	3

Technical data are not binding